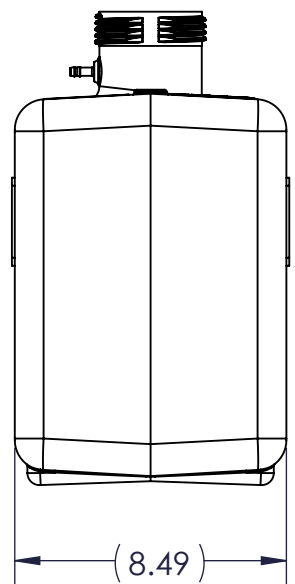
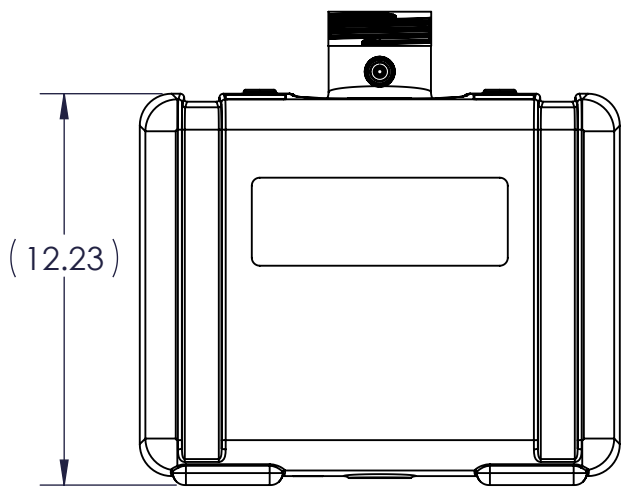
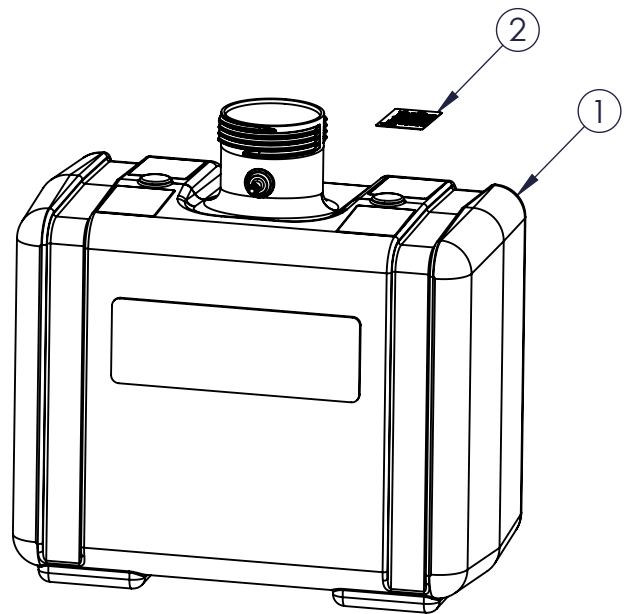
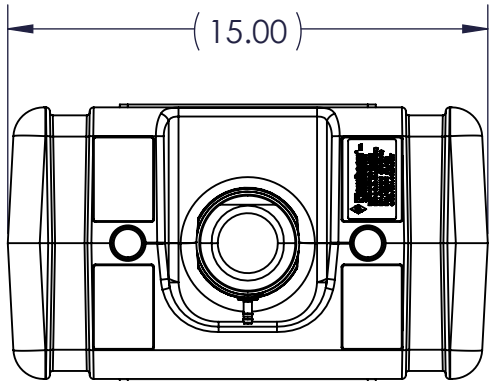


REVISIONS					
REV	ECR	DESCRIPTION	DATE	BY	APR
A	NPN	RELEASED FOR PRODUCTION	10-23-14	ANA	SAB



ITEM	FPN	DWG #	DESCRIPTION	QTY
2	477026x	477026	CARB/EPA FUEL TANK LABEL	1
1	070362B-FL	070362B-FL	6 GALLON TANK, CARB, 1/4" FITTING, BLACK	1

<b>PROPRIETARY AND CONFIDENTIAL</b> THE INFORMATION CONTAINED IN THIS DRAWING IS THE SOLE PROPERTY OF FLAMBEAU, INC. ANY REPRODUCTION IN PART OR AS A WHOLE WITHOUT THE WRITTEN PERMISSION OF FLAMBEAU, INC. IS PROHIBITED.	SHT 1	<b>FLAMBEAU, INC.</b>	
		SCALE: 1:6	BFI NO: NA DRAWN BY: ANA DATE: 10-23-14
<b>DIMENSIONS ARE IN INCHES.</b> THE FOLLOWING TOLERANCES APPLY UNLESS OTHERWISE SPECIFIED ANGULAR: ±3° TWO PLACE x.xx ±.125" THREE PLACE x.xxx ±.060" DIMENSIONS IN PARENTHESIS ( ) ARE FOR REFERENCE ONLY.	OF 1	DESCRIPTION: SIX GALLON CARB/EPA FUEL TANK ASSEMBLY	
		CUSTOMER: US PLASTICS	DWG NO: 071412

<b>CUSTOMER SIGN-OFF</b>
COMPANY:
SIGNATURE:
PRINTED NAME:
DATE: